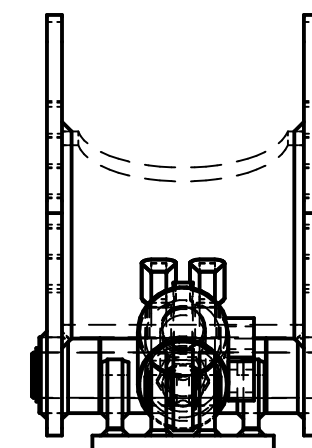
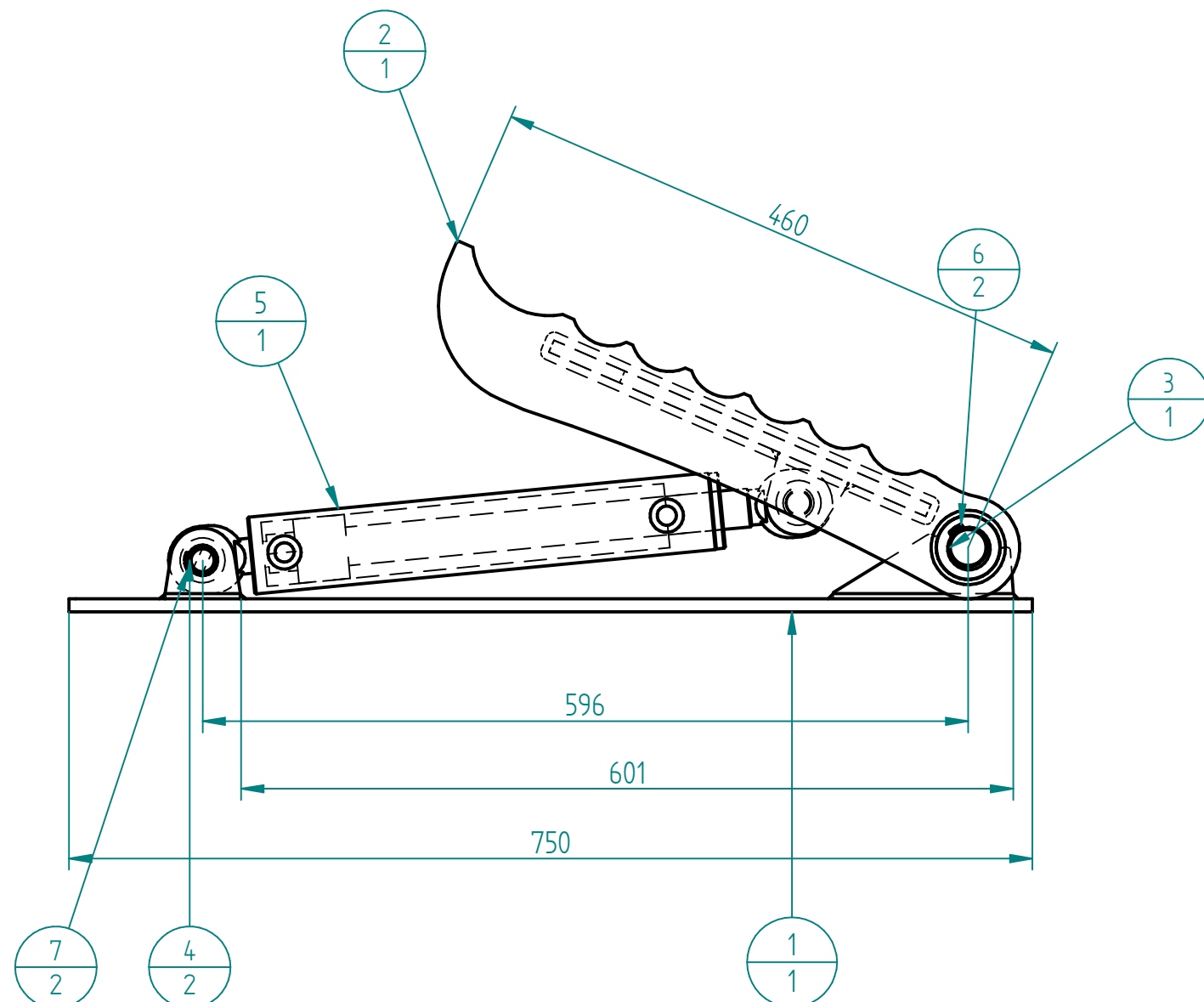
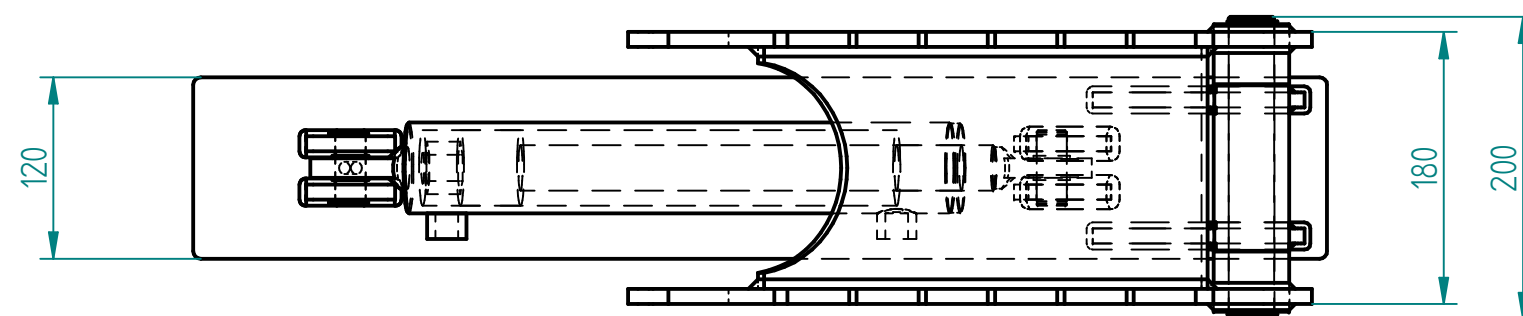


REVISION HISTORY

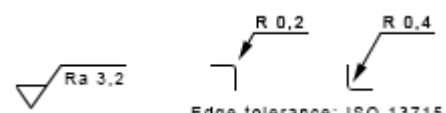
REV	DESCRIPTION	DATE	APPROVED
A		2019-09/26	



M 460



Item Number	File Name (no extension)	Quantity	Title
1	13014_A	1	Konsolplade, komplet
2	13013_A	1	Travers, komplet
3	13004_A	1	Stor pinbolt
4	13005_A	2	Lille pinbolt
5	CYL5030250-CC_A	1	Cylinder 50/30x250 CC
6	A30_DIN471_A	2	Låsering DIN471 Ø30
7	A20_DIN471_A	2	Låsering DIN471 Ø20

Project:			MASKINBYGGERNE www.maskinbyggerne.dk
Drawn:	KP	09/08/19	
Material:			Title: Gribeklo M 460
Default tolerance: ISO 2768 m			Size: A3
			Drawing No.: 13015
			Rev. A
Filename: 13015_A.dft			Scale: 1:5
Weight: 0 kg			Sheet 1 of 1